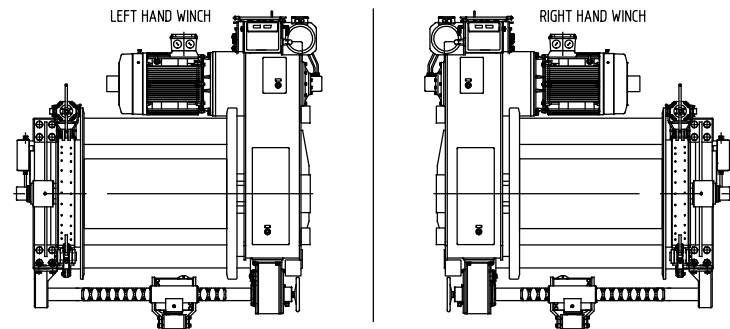


MAIN TECHNICAL DATA:

MOORING DRUM	
DRUM CAPACITY steel wire rope	Ø34 / 1050 m in 10 layers
DRIVE	E-motor, 65kW, 3x600V, 60Hz
LOW SPEED RANGE (m/min) 1st layer	0 - 10,7 m/min
HIGH SPEED RANGE (m/min) 1st layer	10,7 - 32,1 m/min
PULL at LOW SPEED RANGE 1st layer (kN)	320 kN
PULL at HIGH SPEED RANGE 1st layer (kN)	100 kN
MAX PULL at LOW SPEED RANGE 1st layer	385 kN
MAX BRAKE HOLDING LOAD (kN), 1st layer	700 kN
WEIGHT OF WINCH (kg)	10000 kg



AW Adria Winch

21000 Split, CROATIA
www.adriawinch.com

SCALE: 1:25

ELECTRIC MOORING WINCH 320 kN

Designed by:	N.Galetovic	09/2014	PROJECT No.:	1155	Sheet:
Drawn by:	N.Prizmic	09/2014	DRAWING No.:	1155-002-01	1/2
Approved by:	M.Peruzovic	09/2014			